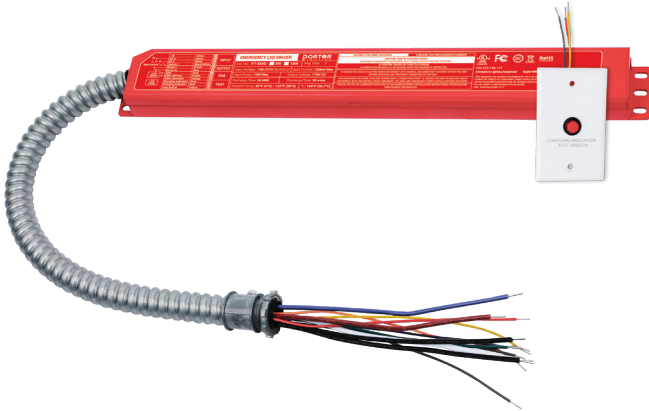


Project Name:	Notes:	Date:	Type:
---------------	--------	-------	-------

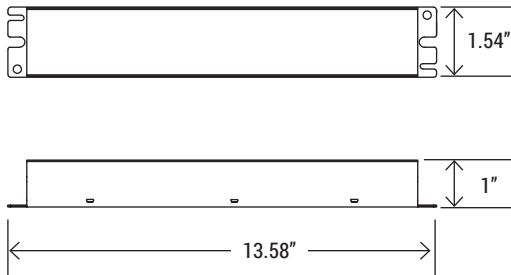


**FEATURES**

- Emergency battery for use with external drives
- Low energy consumption CEC compliance
- Constant output power
- Self-testing
- High temperature protection
- Surge protection: Line-Neutral 3KV

**LISTING**

- Listed to UL924 and tested to CSA C22.2 No. 141 field or factory installation
- UL Listed for US and Canada



**TECHNICAL SPECIFICATION**

EMERGENCY POWER	8W
INPUT VOLTAGE	100-277 VAC
POWER FREQUENCY	50/60 Hz
INPUT CURRENT	100mA max
INPUT POWER RATING	10W
RECHARGE TIME	24 hrs
OUTPUT VOLTAGE	170 VDC
EMERGENCY OPERATION	90 mins
BATTERY TYPE	Li-ion
AMBIENT TEMP.	32°F - 122°F
WARRANTY	5 year limited
WEIGHT	2.66 lbs (1.2 kg)



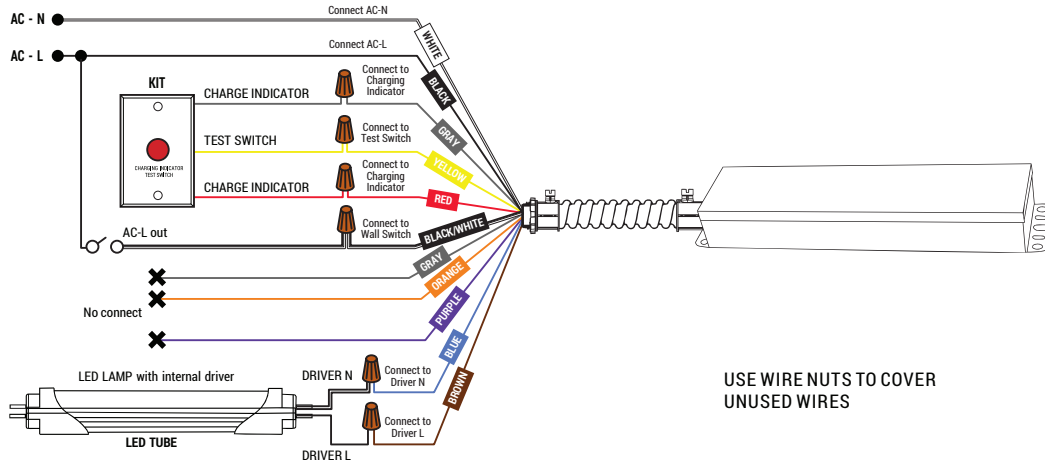
**CAUTION:**

- During AC operation, remember no touch or remove any wires in case of electric shock
- During emergency operation, before touching and disconnecting the wires, remember to press the test button again to make the led lamp and indicator light off to avoid electric shock
- The voltage input to the dimmable wires(DIM+,DIM-) of emergency LED driver must less than 20VDC
- For of emergency LED driver of PT-EMG-8W better work with LED lamp not more than 50W, for PT-EMG-18W must work with LED lamp less than 75W

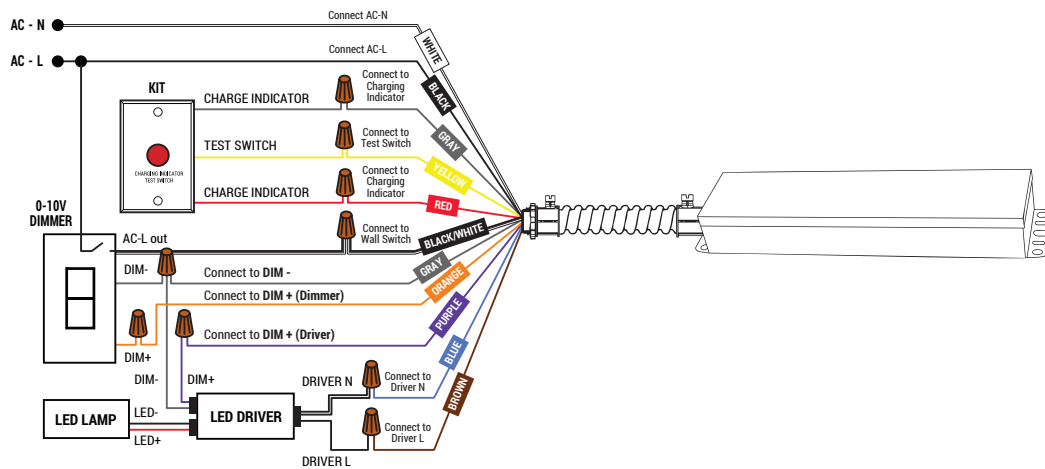
Project Name:	Notes:	Date:	Type:
---------------	--------	-------	-------

**WIRING DIAGRAM**

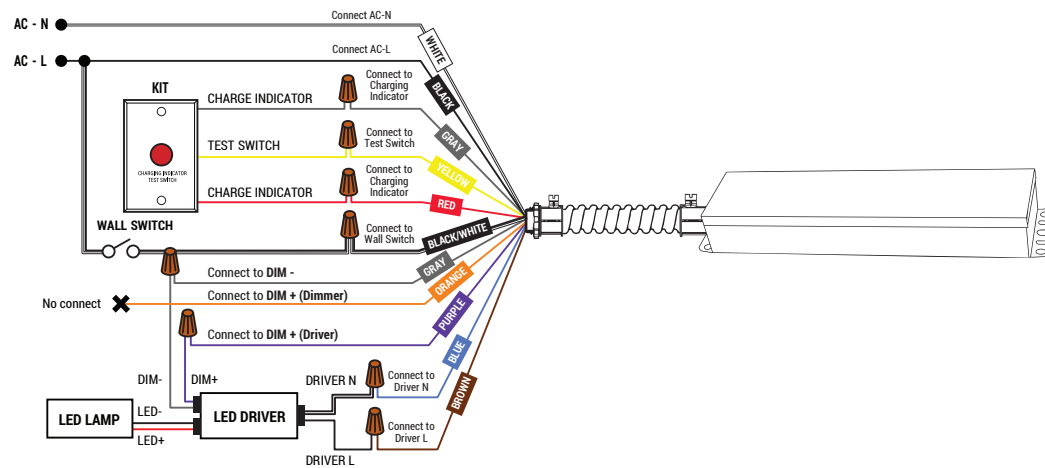
**A. NORMAL (WHEN DRIVER POWER IS LESS THAN THE EMERGENCY POWER)**



**B. WITH DIMMER (WHEN DRIVER POWER IS MORE THAN THE EMERGENCY POWER)**



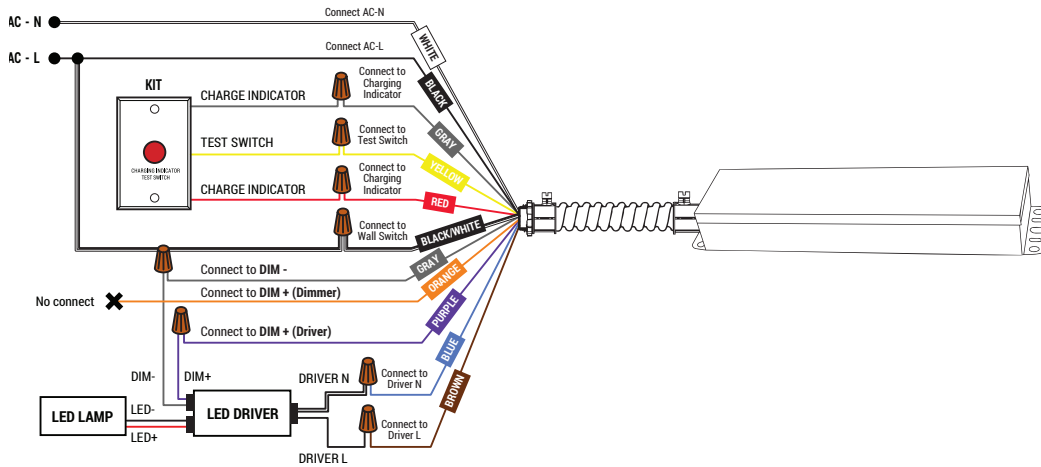
**C. WITHOUT DIMMER**



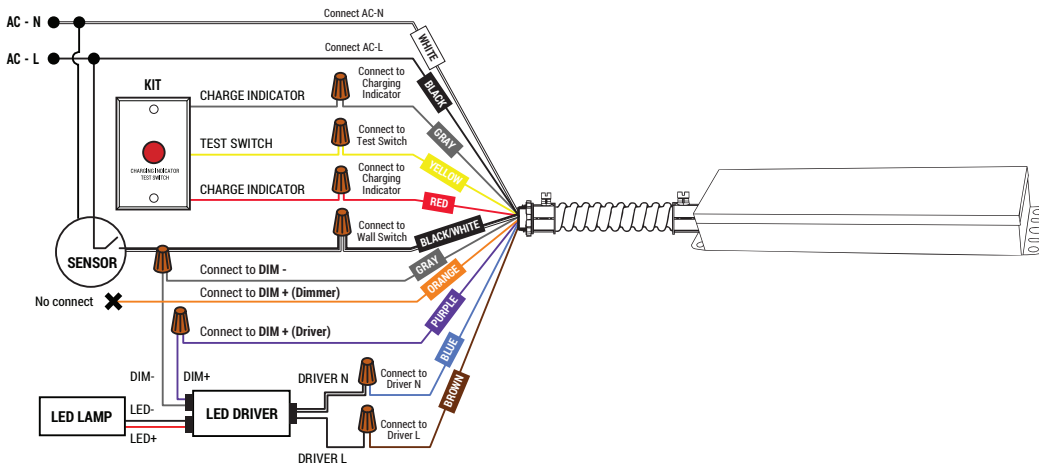
Project Name:	Notes:	Date:	Type:
---------------	--------	-------	-------

**WIRING DIAGRAM**

**D. WITHOUT SWITCH AND WITHOUT DIMMER**



**E. WITH SENSOR**



**FUNCTION:**

**INDICATOR LAMP**

- AC Operation, indicator light will keep on
- Emergency Operation, indicator light flash slowly (light on for 2 seconds, light off for 2 seconds)
- In a failure, indicator light flash quickly (light on for 0.2 seconds, light off for 0.2 seconds)

**TEST SWITCH**

- In AC Operation, press test switch once, emergency for 30 seconds
- In AC Operation, press test switch twice in asuccession within two seconds, emergency until battery is full discharged
- In the emergency operation, press test switch will turn off emergency status, and led lamp & indicator light of EM driver will go out at the same time

**SELF-TEST**

The emergency LED driver contains a control/monitor circuit which will perform a 30-second discharge test once a month and a fully discharge test once a year. At this time, the unit simulate an AC power failure and automatically switch to emergency mode. During routine testing, the unit will monitor the operation of the LED load, battery voltage, and emergency duration, if the unit detect any problems, the indicator will flash quickly.